

CATALOG
14

Section F



SPAENNAUR

Fasteners Right Now[®]

CATALOG
14

CATALOG 14

SPAENAUR

P: 1-800-265-8772 F: 1-888-252-6380 service@spenaar.com

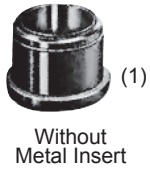
© 2018 Spenaar Inc. All rights reserved. Catalog may not be reproduced, in whole or in part, without the written permission of Spenaar Inc. Subject to Catalog Terms and Conditions of Use available at Spenaar.com and on page TC2 and TC3 at the back of this catalog. © 2018 Spenaar Inc. Tous droits réservés. Le catalogue ne peut être reproduit, en tout ou en partie, sans l'autorisation écrite de Spenaar Inc. L'utilisation est soumise aux Conditions d'utilisation du Catalogue disponibles sur Spenaar.com et à la page TC4 et TC5 à la fin de ce catalogue.



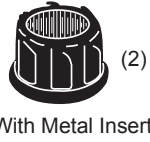
Glides & Levelers	Inch	F2	Pouce	Patins et vérins de calage
Plug Adapters	Inch	F9	Pouce	Adaptateurs enfichables
Tube Connectors	Inch	F11	Pouce	Raccords pour tubes
Furniture Glides	Inch	F12	Pouce	Patins pour meubles
Braces, Brackets, Plates & Picture Hardware	Inch	F13	Pouce	Équerres, ferrures, plaques et quincaillerie de tableau
Swivel Plates	Inch	F15	Pouce	Plaques pivotantes
Gripper Clips	Inch	F15	Pouce	Attaches de serrage
Section Index		F17		Index de section

F

ROUND Style INSERT GLIDES of Black Polyethylene - for TUBING



SPAENAUR No.	Tubing Size Gauge x O.D.	Base O.D.	Style
315-663	16 ga. x 1"	1"	(1)
315-H32-1T	18 ga. x 5/8"	5/8"	(1)
315-491	18 ga. x 3/4"	3/4"	(1)



SPAENAUR No.	Tubing Size Gauge x O.D.	Base O.D.	Style
315-493	16-18 ga. x 1"	1"	(2)
315-657	18 ga. x 7/8"	7/8"	(2)

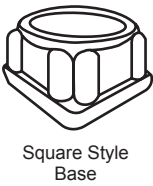
RECTANGULAR Style



PKG QTY. 25

SPAENAUR No.	Tubing Size Gauge x O.D.	Base Dimensions
315-499	16 ga. x 1/2" x 1"	1/2" x 1"
315-628	16-18 ga. x 1/2" x 1 1/2"	1/2" x 1 1/2"
315-629	16-18 ga. x 3/4" x 1 1/2"	3/4" x 1 1/2"
315-630	16-18 ga. x 1" x 2"	1" x 2"

INSERT GLIDES for SQUARE TUBING PKG QTY. 25



SPAENAUR No.	Tubing Size O.D. x Gauge	Base Dim.	Colour
315-639	3/4" x 16-18 ga.	3/4" sq.	Black
315-640	3/4" x 16-18 ga.	3/4" sq.	White
315-643	7/8" x 16-18 ga.	7/8" sq.	Black
315-497	1" x 16-18 ga.	1" sq.	Black
315-656	1" x 13 ga.	1" sq.	Black
315-644	1-1/8" x 16-18 ga.	1-1/8" sq.	Black
315-498	1-1/4" x 16-18 ga.	1-1/4" sq.	Black



SPAENAUR No.	Tubing Size O.D. x Gauge	Base Dim.	Colour
315-664	1/2" x 16-18 ga.	1/2" sq.	Black
315-494	5/8" x 18 ga.	5/8" sq.	Black

Polyethylene Material

SQUARE ANGLE BASE



PKG QTY. 25

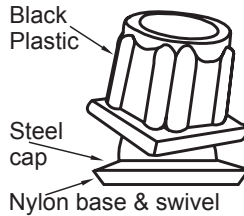
SPAENAUR No.	Tubing Size O.D.	Gauge	Overall Height	Base Angle	Colour
315-468	3/4"	16-18	7/8"	19°	Black
315-469	3/4"	16-18	7/8"	19°	White
315-472	7/8"	16-18	15/16"	19°	Black

Furniture Glides

SWIVEL STYLE - for SQUARE TUBING



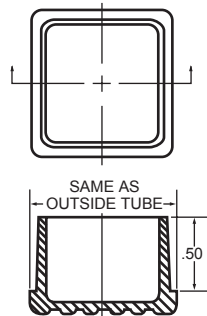
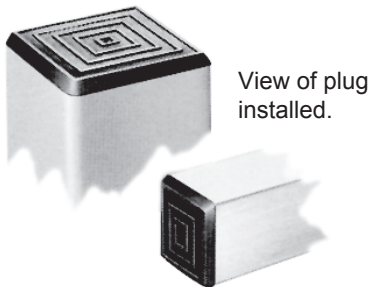
PKG QTY. 50



Base Dia.
1-5/32"

SPAENAUR No.	Square Tubing O.D.	Gauge	Finish
112-090	3/4"	16-18	Brass
112-091	3/4"	16-18	Chrome
112-092	7/8"	16-18	Brass
112-093	7/8"	16-18	Chrome
112-094	1"	16-18	Brass
112-095	1"	16-18	Chrome

Finishing Plugs for SQUARE METAL TUBING



MATERIAL/COLOUR:
Low Density Polyethylene/Black

Temperature Range **-70° to 79°C** (-94° to 175°F)

SPAENAUR No.	Will Plug Tube Size	PKG QTY.
315-658	3/4" x 16 ga. (.063")	25
315-647	1" x 14 ga. (.072")	25
315-659	1" x 16 ga. (.063")	25
315-660	1" x 18 ga. (.049")	25
315-661	1" x 20 ga. (.035")	25
315-648	1-1/4" x 14 ga. (.072")	25
315-662	1-1/4" x 16 ga. (.063")	25
315-699	1-1/2" x 11 ga. (.125")	25
315-649	1-1/2" x 14 ga. (.072")	25
315-650	1-1/2" x 16 ga. (.063")	25
315-651	2" x 14 ga. (.072")	25
315-652	2" x 16 ga. (.063")	25

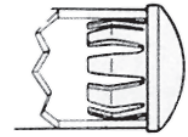
For more plastic feet see page J45. See also TIPS on page J52



ROUND TUBING TYPE

Designed to fit tube ends in furniture tubing, etc. Provides a trim finished appearance, and protects floors from sharp tube ends.

APPLICATION



HIGH CARBON STEEL

More Metal Plug Buttons on pages H2 to H4. For Nylon Plug Button see pages J2 and J3.

Tube Size		O.D. of Plug Button Head	Plug Button Material	Bare Metal		Finished		PKG QTY.
I.D.	O.D.			SPAENAUR No.	Mfr. No.	SPAENAUR No.	Finish	
.620-.680"	3/4"	3/4"	Steel	B-1684-PS	HS-51260	B-1684	Nickel	50
.875-.900"	1"	63/64"	Steel	B-1732-PS	D-3031	B-1732	Nickel	50
1.092-1.150"	1-1/4"	1-15/64"	Steel	B-1775	HS-51328	B-1775N	Nickel	50

SQUARE TUBING TYPE

B-1889



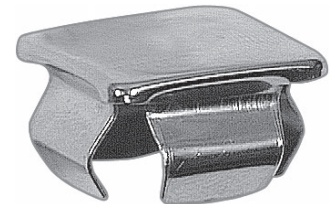
Top View



Bottom View

STEEL - NICKEL PLATED.
FIT SECURELY AND NEATLY.

SPAENAUR No.	16-18 ga. Tubing O.D. Size
B-1974	3/4"
B-1975	13/16"
B-1976	7/8"
B-1889	1-1/8"



PKG QTY. 50

ASSEMBLED TUBE CLOSURES **PKG QTY. 20**

Round Style



SPAENAUR No.	Use With Tube O.D.	Tube Wall Thickness	Base Material	Base Finish
112-227	5/8" round	16-18 ga.	Case Hardened Steel	Zinc Plated
112-228	3/4" round	16-18 ga.	Case Hardened Steel	Nickel Plated
112-G01-1Y	7/8" round	16-18 ga.	Case Hardened Steel	Zinc Plated
112-234	1" round	16-18 ga.	Case Hardened Steel	Nickel Plated
112-224	1" round	16-18 ga.	Black NYLON	—
112-236	1-1/8" round	16-18 ga.	Case Hardened Steel	Nickel Plated
112-237	1-1/4" round	16-18 ga.	Case Hardened Steel	Nickel Plated

Round Style

with washer
(Provides Flange on Tube End)



112-238	1" round with 1-1/2" washer	14-16 ga.	Case Hardened Steel	Nickel Plated
112-239	1-1/4" round with 1-3/4" washer	16-18 ga.	Case Hardened Steel	Nickel Plated

Square Style



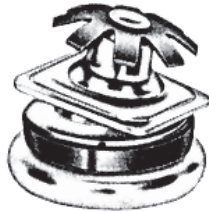
112-229	3/4" square	16-18 ga.	Case Hardened Steel	Nickel Plated
112-231	13/16" square	16-18 ga.	Case Hardened Steel	Nickel Plated
112-233	7/8" square	16-18 ga.	Case Hardened Steel	Nickel Plated
112-235	1" square	16-18 ga.	Case Hardened Steel	Nickel Plated
112-225	1" square	16-18 ga.	Black NYLON	—
112-226	1-1/8" square	16-18 ga.	Black NYLON	—

SUPER-SILENT GLIDES for tubular metal furniture

SWIVEL-TYPE

Nickel Plated

Internal Retainer Style
With Square Metal Platform



PKG QTY.
40

SPAENAUR No.	Tubing Size	Base Dia.	Base Material
*112-083	3/4" Square #16, #18 ga.	15/16"	Metal Base and Rubber Cushion
112-G03-1N	3/4" Square #16, #18 ga.	15/16"	High-density Polyethylene Base and Rubber Cushion

* Zinc Plated

SWIVEL-TYPE



PKG QTY. 40

SPAENAUR No.	Base Dia.	Size Of Tubing		Base Material
		Outside	Inside	
112-118	7/8"	5/8" Rd.	.495"-.527"	Nickel Plated Steel
112-G02-1C	29/32"	7/8" Rd.	.750"-.780"	Zinc Plated
112-102	7/8"	1" Rd.	.870"-.902"	Nickel Plated Steel
112-082	7/8"	1" Rd.	.870"-.902"	Nylon, Natural

NON-SWIVEL TYPE

Nickel Plated Steel Base

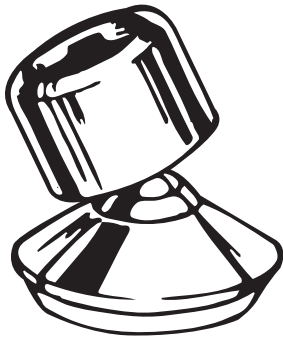


PKG QTY. 40

Strong, shock-absorbing action reduces noise that commonly results from moving furniture.

SPAENAUR No.	Tubing Size	Retainer Style	Base Dia.
B-1892	1-1/8" Square #20 ga.	Internal	1-1/16"

BASE DIAMETER
1-1/4"



PKG QTY. 40

SPAENAUR No.

112-117

SWIVEL-TYPE
Nickel Plated Steel

Attractive, modern design.
Ball-swivel action to 34°.

DIAMETER OF TUBING
5/8" Ferrule with Outside Holding Clip to fit .625"-.636" O.D. Tubing

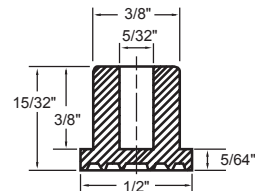
THE GRIPPER



White, Non-staining

SPAENAUR No.

315-171



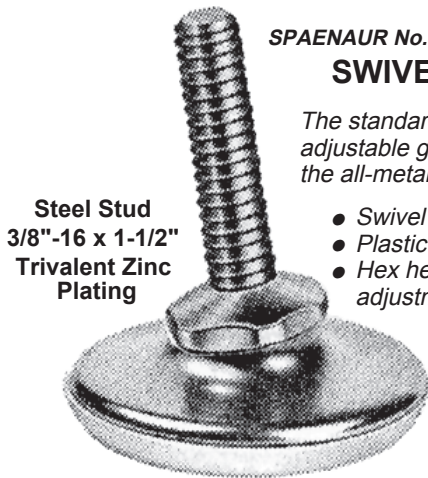
Non-walking Appliance Foot
(Suitable for Motorized Counter-top Appliances)

Made of FDA-approved polyurethane.

PKG QTY. 100

F

SWIVEL ADJUSTABLE LEVELING GLIDES



Steel Stud
3/8"-16 x 1-1/2"
Trivalent Zinc
Plating

SPAENAU No. 112-G04-1T
SWIVEL GLIDE

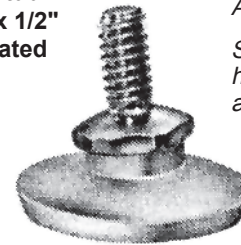
The standard swivel adjustable glide with the all-metal look.

- Swivel action up to 16°
- Plastic contacts floor
- Hex head for easy adjustment

1-11/16" Dia. White Polyethylene Base
with nickel plated steel shell

SPAENAU No. 112-113
ECONOMICAL SWIVEL ADJUSTABLE GLIDE

Steel Stud
1/4"-20 x 1/2"
Zinc Plated



*All-plastic base.
Swivels to 16° with hex head for easy adjustment.*

White Base

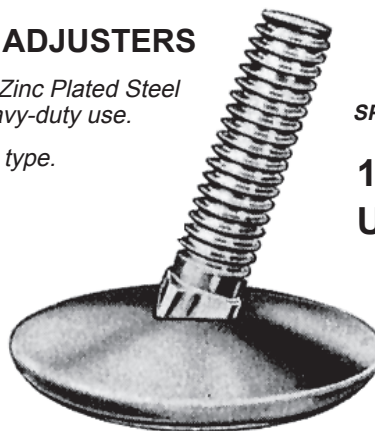
1-1/8" Dia. Base

LEG ADJUSTERS

Bright Zinc Plated Steel for heavy-duty use.

Swivel type.

Swivel action may be stiff on some glides but that will not affect actual application.



1-3/4" Dia. Base

SPAENAU No.

112-084 3/8"-16 x 1-1/2" shank

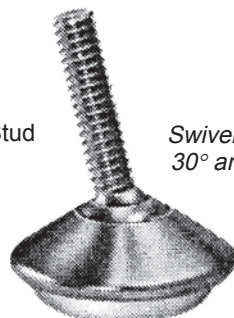
UH-28 3/8"-16 x 2" shank

ADJUSTABLE SWIVEL GLIDE

SPAENAU No.

112-132

1/4"-20 x 1" Steel Stud



Swivels to 30° angle

1-1/4" Dia. Base
Base is made of case hardened steel.
Nickel plated shell.

SWIVEL GLIDE

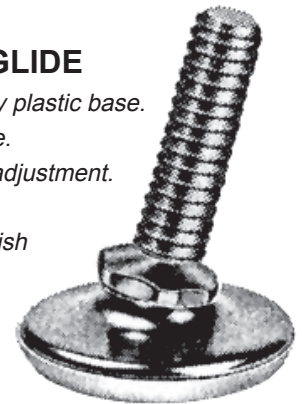
Floor is protected by plastic base.

Swivels to 16° angle.

Hex head for easy adjustment.

Base colour - white.

Base cover shell finish nickel-plated steel.



1-1/8" Dia. Base

SPAENAU No.

112-115

1/4"-20 x 1/2" Steel Stud

112-116

5/16"-18 x 1" Steel Stud

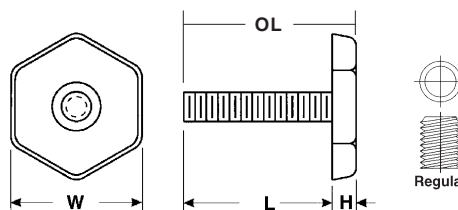
All Glides this page, PKG QTY. 50

See Section "J" for Heavy Machinery & Vibration Mounts.

LEG LEVELERS

C1008/1010 Steel, Zinc Plated

Two Piece Welded Construction.
Studs supplied with regular point.



Style 1W



Style 28



Style 35

PKG QTY. 25

SPAENAUR No.	Thread Size	(OL) Overall Length Tol. ± .060"	Length from Top of Base to Point. (L) Tol. ± .060"	Base Style	Base Width (W) Tol. ± .010"	Base Height (H) Tol. ± .010"	Base Material Thickness Tol. +.004" to -.000"
112-240	1/4"-20	1.26"	1.08"	1W	1-1/16"	.180"	.039"
112-241	1/4"-20	1.292"	1.127"	35	1-3/8"	.165"	.071"
112-242	1/4"-20	1.76"	1.58"	1W	1-1/16"	.180"	.039"
112-134	1/4"-20	1.779"	1.467"	28	1-3/8"	.312"	.058"
112-243	1/4"-20	2.26"	2.08"	1W	1-1/16"	.180"	.039"
112-244	1/4"-20	2.279"	1.967"	28	1-3/8"	.312"	.058"
112-245	5/16"-18	1.26"	1.08"	1W	1-1/16"	.180"	.039"
112-246	5/16"-18	1.292"	1.127"	35	1-3/8"	.165"	.071"
112-139	5/16"-18	1.403"	1.238"	35	1-3/8"	.165"	.071"
112-300	5/16"-18	1.542"	1.377"	35	1-3/8"	.165"	.071"
112-247	5/16"-18	1.76"	1.58"	1W	1-1/16"	.180"	.039"
112-135	5/16"-18	1.779"	1.467"	28	1-3/8"	.312"	.058"
112-248	5/16"-18	2.26"	2.08"	1W	1-1/16"	.180"	.039"
112-249	5/16"-18	2.279"	1.967"	28	1-3/8"	.312"	.058"
112-250	5/16"-18	2.76"	2.58"	1W	1-1/16"	.180"	.039"
112-136	5/16"-18	2.779"	2.467"	28	1-3/8"	.312"	.058"
112-G06-1W	3/8"-16	2.03"	1.91"	1W	1-1/16"	.180"	.058"
112-G07-1M	3/8"-16	2.089"	1.467"	28	1-3/8"	.312"	.058"
112-252	3/8"-16	2.26"	2.08"	1W	1-1/16"	.180"	.039"
112-253	3/8"-16	2.279"	1.967"	28	1-3/8"	.312"	.058"
112-G10-1X	3/8"-16	2.292"	2.500"	35	1-3/8"	.165"	.071"
112-254	1/2"-13	1.784"	1.472"	28	1-3/8"	.312"	.058"
112-255	1/2"-13	2.284"	1.972"	28	1-3/8"	.312"	.058"
112-257	1/2"-13	2.797"	2.632"	35	1-3/8"	.165"	.071"
112-G11-1A	1/2"-13	3.284"	2.972"	28	1-3/8"	.312"	.058"

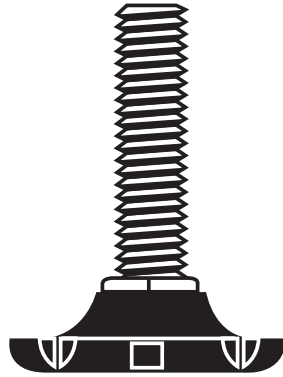
F

NON-SWIVEL ADJUSTABLE LEVELING GLIDES

SPAENAUR
No.
112-085

3/8"-16 x 1-1/2"
Steel Stud
Zinc Plated

Overall
Height
2"



Reduced
Bottom
Illustration



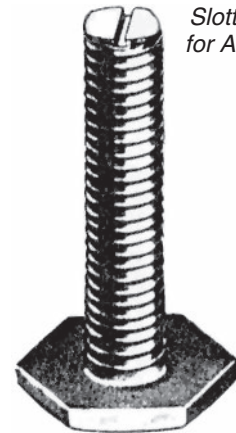
1-11/16" Dia
Black
Polyethylene
Base

PKG QTY. 50

SPAENAUR
No.
112-178

Steel Stud
Zinc Plated

3/8"-16 x 1-1/2"



*Slotted End
for Adjusting*

Base - 7/8" Wide
Thickness - 9/64".

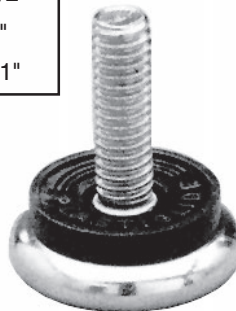
PKG QTY. 25

VINYL CUSHION LEVELING SILENCER

Resilient cushion adjustable glide for straight legs.
Stud moulded in to provide strength and silencing
action. Available in nickel-plated finish only.

SPAENAUR No.	BASE CAP DIAMETER	STUD SIZE & LENGTH
112-109		1/4"-20 x 1/2"
112-110	7/8"	1/4"-20 x 1"
112-112		5/16"-18 x 1"

PKG QTY. 50

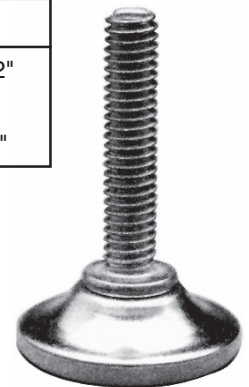


NON-SWIVEL ADJUSTABLE LEVELING GLIDES

Features an all-metal look and extra strength for straight legs.
Plastic base contacts floor. Base colour - white.
Base cover shell available in satin-nickel finish only.

SPAENAUR No.	BASE & SHELL DIAMETER	STUD SIZE & LENGTH
112-105		1/4"-20 x 1/2"
112-106	1-1/8"	1/4"-20 x 1"
112-108		5/16"-18 x 1"

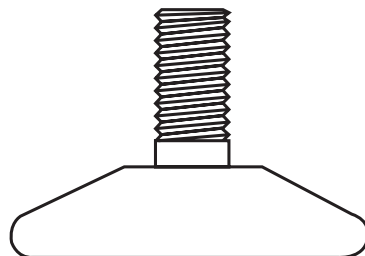
PKG QTY. 50



LEVELER GLIDE

Steel Stud
Zinc Plated

White
Polyethylene
Base



1-5/8" Diameter

SPAENAUR No.	Shank Size
112-101	1/4"-20 x 3/4"
112-098	5/16"-18 x 3/4"
112-099	5/16"-18 x 1-1/4"
*112-G12-1P	3/8"-16 x 1-1/4"
*112-121	3/8"-16 x 1-1/4"

PKG QTY. 50

(*Black)

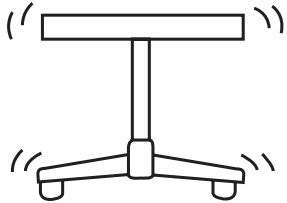


TABLE GLIDES

TABLE SHOX table glides automatically adjust to uneven floor surfaces.

TABLE SHOX, for new or existing tables, are inexpensive, easy to install, durable and rust free.

TABLE SHOX work by using the table's weight to automatically adjust to a floor's surface every time the table is moved

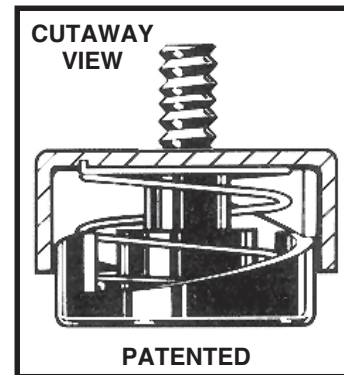
The secret to **TABLE SHOX** effectiveness is its patented double cam and spring mechanism.

All **TABLE SHOX** contain a hardened stainless steel spring, housed in a black super-tough nylon body and are guaranteed to keep your tables wobble-free without damaging floors or carpet. Use indoors or out.

TABLE SHOX table glides are also installed as original equipment by many table manufacturers.

Determine Which Size Fits Your Table

To determine correct screw diameter, remove present glide from table and compare to sizes shown.



Note: Use on wood or metal pedestal tables (not folding tables)

SPAENAUR No.	Thread Size	Base Diameter	Installed Height
112-008	1/4"-20	1.5"	1.15"
112-009	5/16"-18	1.5"	1.15"
112-010	3/8"-16	1.5"	1.15"

PKG QTY. – 4 GLIDES (ALL ONE SIZE)

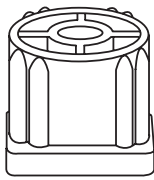
Installation Information

1/4"-20 thread sizes require a 3/16" Across Flats Hex Key for install.
(Suggest SPAENAUR No. SS-67K or SS-67KL)

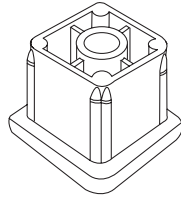
5/16"-18 thread sizes require a 7/16" Across Flats Wrench.
(Suggest SPAENAUR No. 990-260 3/8" x 7/16" Across Flats Open End Wrench)

3/8"-16 thread sizes require a 1/2" Across Flats Wrench.
(Suggest SPAENAUR No. 990-262 1/2" x 9/16" Across Flats Open End Wrench)

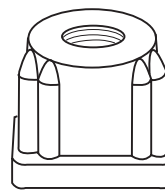
SQUARE PLUG ADAPTORS of Hi-Density Polyethylene



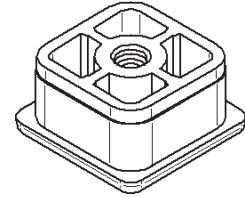
Style 1



Style 2



Style 3

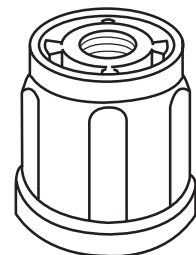


Style 4

SPAENAUR No.	Thread Size	For Tubing Gauge	Square Base Dimension	Style	Metal Insert	Colour	PKG QTY.
112-153	1/4" - 20	16-18	3/4"	3	No	Natural	50
112-157	1/4" - 20	16-18	1"	1	Yes	Natural	25
112-158	1/4" - 20	16-18	1"	1	Yes	Black	25
112-258	1/4" - 20	16-18	1"	4	No	Natural	25
112-162	1/4" - 20	16-18	1-1/4"	1	Yes	Natural	25
112-154	5/16" - 18	16-18	3/4"	3	No	Natural	50
112-156	5/16" - 18	16-18	7/8"	1	Yes	Black	50
112-159	5/16" - 18	16-18	1"	1	Yes	Natural	25
112-160	5/16" - 18	16-18	1"	1	Yes	Black	25
112-161	5/16" - 18	16-18	1-1/8"	1	Yes	Natural	25
112-163	5/16" - 18	16-18	1-1/4"	1	Yes	Natural	25
112-164	5/16" - 18	16-18	1-1/4"	1	Yes	Black	25
112-165	5/16" - 18	16-18	1-1/2"	2	Yes	Natural	25
112-167	3/8" - 16	16-18	2"	2	Yes	Black	10

ROUND PLUG ADAPTORS of Hi-Density Polyethylene - without Metal Inserts

SPAENAUR No.	Thread Size	For Tubing Gauge	Base Outside Dia.	Colour	PKG QTY.
112-168	1/4" - 20	16-18	5/8"	Natural	50
112-169	1/4" - 20	16-18	3/4"	Natural	50
112-171	1/4" - 20	16-18	7/8"	Natural	50
112-173	1/4" - 20	16-18	1"	Natural	25
112-170	5/16" - 18	16-18	3/4"	Black	50
112-172	5/16" - 18	16-18	7/8"	Natural	50
112-174	5/16" - 18	16-18	1"	Natural	25
*112-175	5/16" - 18	16-18	1-1/4"	Black	25
*112-176	5/16" - 18	16-18	1-3/4"	Black	25



(*With Metal Insert)

For more plastic feet see page J45.
See also Crutch-Type Tips on page J52.



**ROUND METAL
THREADED ADAPTERS**

Threaded insert and base are zinc plated.

<i>SPAENAUR No.</i>	<i>Use With Tube O.D.</i>	<i>Thread Dia.</i>	<i>Tube Wall Thickness</i>	<i>PKG QTY.</i>
112-207	7/8"	1/4"-20 UNC	16-18 ga.	20
112-208	7/8"	5/16"-18 UNC	16-18 ga.	20
112-209	7/8"	3/8"-16 UNC	16-18 ga.	20
112-210	1"	1/4"-20 UNC	16-18 ga.	20
112-211	1"	5/16"-18 UNC	16-18 ga.	20
112-212	1"	3/8"-16 UNC	16-18 ga.	20

F



**SQUARE METAL
THREADED ADAPTERS**

Threaded insert and base are zinc plated.

<i>SPAENAUR No.</i>	<i>Use With Tube O.D.</i>	<i>Thread Dia.</i>	<i>Tube Wall Thickness</i>	<i>PKG QTY.</i>
112-213	7/8"	1/4"-20 UNC	16-18 ga.	20
112-214	7/8"	5/16"-18 UNC	16-18 ga.	20
112-215	1"	1/4"-20 UNC	16-18 ga.	20
112-216	1"	5/16"-18 UNC	16-18 ga.	20
112-217	1"	3/8"-16 UNC	16-18 ga.	20

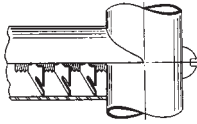


**SQUARE METAL
THREADED ADAPTOR
WITH ROUND CLIP**

Threaded insert and base are zinc plated.

<i>SPAENAUR No.</i>	<i>Use With Tube O.D.</i>	<i>Thread Dia.</i>	<i>Tube Wall Thickness</i>	<i>PKG QTY.</i>
112-202	7/8"	1/4"-20 UNC	16-18 ga.	20
*112-G08-1X	7/8"	5/16"-18 UNC	16-18 ga.	20
112-204	1"	1/4"-20 UNC	16-18 ga.	20
112-205	1"	5/16"-18 UNC	16-18 ga.	20
112-206	1"	3/8"-16 UNC	16-18 ga.	20

* Trivalent Zinc Plated



LIGHT DUTY TUBE CONNECTORS

Several Clips can be lined up on screw for strength and alignment.



STEEL
Heat Treated
Plain Finish

Single Clip Style

SPAENAUR No.	Use With Tube O.D.	Thread Dia.	Tube Wall Thickness	PKG QTY.
112-219	3/4" rd. or sq.	1/4"-20 UNC	16-18 ga.	20
112-220	13/16" rd. or sq.	1/4"-20 UNC	16-18 ga.	20
W-403	7/8" rd. or sq.	10-24 UNC	16-18 ga.	100
112-221	7/8" rd. or sq.	1/4"-20 UNC	16-18 ga.	20
112-222	1" rd. or sq.	1/4"-20 UNC	16-18 ga.	20
112-223	1-1/4" rd. or sq.	1/4"-20 UNC	16-18 ga.	20

HEAVY DUTY TUBE CONNECTORS



Round Style

STEEL
Heat Treated
Plain Finish

Double Clip
with Staked-on
Threaded Insert.

All threaded inserts
are zinc plated.



Square Style

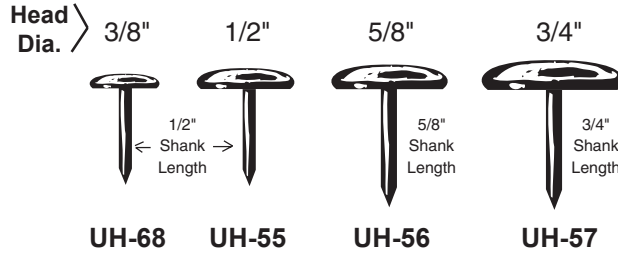
SPAENAUR No.	Use With Tube O.D.	Thread Dia.	Tube Wall Thickness	PKG QTY.
112-194	5/8" rd. or sq.	1/4"-20 UNC	19 ga.	20
112-195	5/8" rd. or sq.	1/4"-20 UNC	25 ga.	20
112-196	3/4" rd. or sq.	1/4"-20 UNC	16-18 ga.	20
112-197	3/4" rd. or sq.	5/16"-18 UNC	16-18 ga.	20
112-198	7/8" rd. or sq.	1/4"-20 UNC	16-18 ga.	20
112-199	7/8" rd. or sq.	5/16"-18 UNC	16-18 ga.	20
112-180	1" rd. or sq.	1/4"-20 UNC	16-18 ga.	20
112-200	1" sq. only	1/4"-20 UNC	20 ga.	20
112-181	1" rd. or sq.	5/16"-18 UNC	16-18 ga.	20
112-201	1" sq. only	5/16"-18 UNC	20 ga.	20
112-182	1-1/8" rd. or sq.	1/4"-20 UNC	16-18 ga.	20
112-183	1-1/8" rd. or sq.	5/16"-18 UNC	16-18 ga.	20
112-184	1-1/4" rd. or sq.	1/4"-20 UNC	16-18 ga.	20
112-185	1-1/4" rd. or sq.	5/16"-18 UNC	16-18 ga.	20
112-186	1-3/8" rd. or sq.	1/4"-20 UNC	16-18 ga.	20
112-187	1-3/8" rd. or sq.	5/16"-18 UNC	16-18 ga.	20
**112-G05-1K	1-1/2" rd.	1/4"-20 UNC	16-18 ga.	20
112-189	1-1/2" rd. or sq.	5/16"-18 UNC	16-18 ga.	20
112-190	1-3/4" rd. or sq.	1/4"-20 UNC	16-18 ga.	20
112-191	1-3/4" rd or sq.	5/16"-18 UNC	16-18 ga.	20
112-192	2" rd. or sq.	1/4"-20 UNC	20-22 ga.	20
112-193	2" rd. or sq.	5/16"-18 UNC	20-22 ga.	20

**Trivalent Zinc Plated

SINGLE-PRONG GLIDES

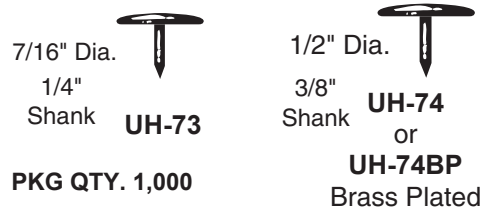
Steel - ZINC PLATED

PKG QTY. 400
(one size)



DRAWER GLIDES

PLAIN STEEL



PKG QTY. 1,000

Brass Plated

THUMB TACK

SPAENAUR
No.
112-142



STEEL - Brass Plated

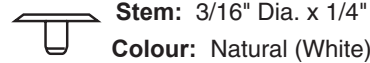
PKG QTY. 1,000
3/8" Head Diameter
#4 x 9/32" Shank Length

TACK GLIDES

PKG QTY. 100

	SPAENAUR No.	Base Dia.	Base Thickness	Base Colour	Base Material
	112-123	5/8"	1/4"	White	Polyethylene
	112-124	3/4"	1/4"	"	"
	112-125	7/8"	1/4"	"	"
	112-126	7/8"	1/4"		Cushioned style with chrome plated steel base. Centre cushion is black.
	112-127	7/8"	5/16"		Non-marking Polyethylene
	112-128	1-1/8"	5/16"	White	
	112-129	1-1/2"	5/16"		
	112-130	1-1/8"	1/4"	Tan	Tack is moulded into Tan Base, and has a non-slip "Fly Paw Pad."

NYLON BUTTON GLIDE



Stem: 3/16" Dia. x 1/4"
Colour: Natural (White)

SPAENAUR No.	Head Dia.	Head Thickness	PKG QTY.
086-378	11/32"	1/16"	100
086-379	9/16"	1/16"	100

FELT FEET

Flat



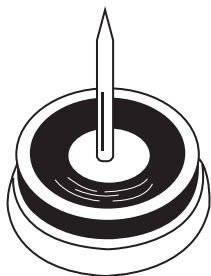
NAIL TYPE Brown Felt
UH-29 7/16" Diameter
PKG QTY. 100



NAIL TYPE Black Felt
UH-30 1/2" Diameter
PKG QTY. 100

RUBBER INSULATED GLIDES

Case-hardened steel base with rubber cushion to deaden noise.



Nickel Plated

PKG QTY. 100

SPAENAUR No.	Dia.	Shank Length
UH-60	5/8"	11/16"
UH-24	7/8"	11/16"
*UH-25	7/8"	11/16"
UH-61	1-1/16"	5/8"
UH-63	1-1/4"	5/8"

*Brass Plated

THREE-PRONG GLIDES

3/4" Dia.



UH-72

Steel
Zinc Plated



SPAENAUR No.

UH-77 5/8"
UH-78 7/8"
UH-79 1"

PLAIN STEEL

PKG QTY. 400


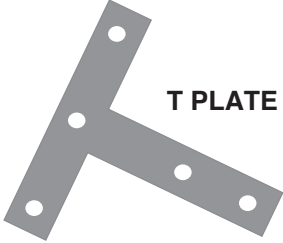
F

Inch

Braces / Brackets / Mending Plates

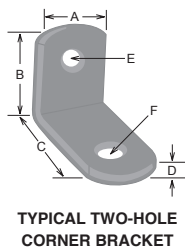
Pouce

Équerres / Ferrures / Plaques de fixation

All items: STEEL Finish: Zinc Plated	SPAENAUR No.	Size	Total Holes	Countersunk Hole Size	Strap Width	Gauge of Metal
 <p>INSIDE CORNER BRACE</p>	073-018	2" x 2"	4	#8	5/8"	.104"
	073-019	2-1/2" x 2-1/2"	4	#8	5/8"	.119"
	073-T05-1C	4" x 4"	4	#10	7/8"	.105"
	073-T03-1P	5" x 5"	6	#10	1"	.156"
 <p>T PLATE</p>	073-052	3" x 3"	5	#8	3/4"	.095"
	073-046	5" x 5"	5	#9	1"	.083"

All Above Items PKG QTY. 10

F

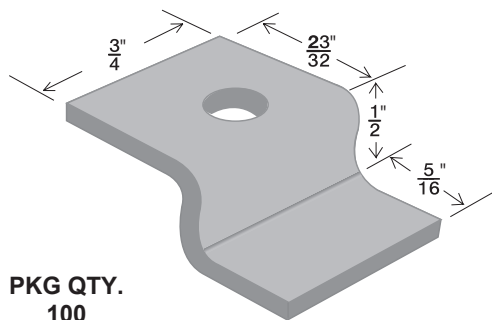


ANGLE OR CORNER BRACKETS - OF STEEL

SPAENAUR No.	WIDTH A	OVERALL ARM LENGTHS		GAUGE D	HOLE DETAIL			FINISH	PKG QTY.
		B	C		E	F	G		
Two-hole Style									
073-008	1/2"	9/16"	1/2"	.062"	.165"(P)	8-32(T)	-	Tin Pl.	50
073-053	1/2"	3/4"	3/4"	.060"	.164"(P)	.164"(P)	-	Zinc Pl.	50
*073-T02-1A	1/2"	1 1/16"	1 1/16"	.062"	.156"(P)	.156"(P)	-	Zinc Pl.	100
073-004	5/8"	1 1/16"	1 1/16"	.120"	.250"(C)	.250"(C)	-	Zinc Pl.	50
073-007	3/4"	1 1/16"	1 1/16"	.075"	.187"(P)	.187"(P)	-	Zinc Pl.	50

(P) Plain (T) Tapped (C) Countersunk

* Rib Reinforced Angle



SHELF SUPPORT CLIP

Steel-Zinc Plated

C-792

Style: 1/2" Offset

Material Thickness: 1/16" (.062")

Hole Diameter: 7/32" (.219")

CATALOG 14.06

SPAENAUR

PICTURE/MIRROR HANGERS

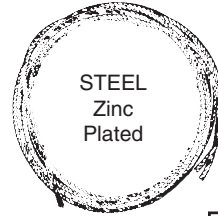
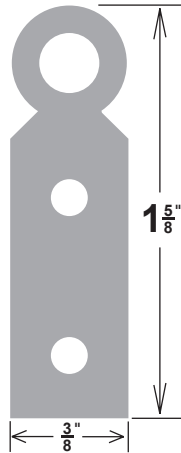
073-T01-1X

STEEL

Zinc Plated

Holes for
No. 8
Round-Head
Screws.

PKG QTY. 25



STEEL
Zinc
Plated

**Braided
PICTURE
WIRE**

SPAENAU No.	No. of Strands	PKG QTY
697-201	12	1,500 ft.
697-202	16	1,080 ft.

F



PKG QTY. 25

DESK TOP FASTENER

073-049

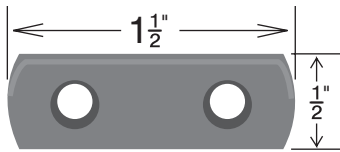
STEEL (Plain)

1-3/8" x 5/8" x .125" gauge

Countersunk for No. 7 Flat Head Screws

STEEL MENDING PLATES

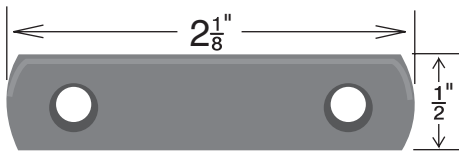
Illustrations are
approximate size



073-012



073-050



073-T04-1Y

SPAENAU No.	Countersunk for Flat Hd. Screw	Gauge	Finish	PKG QTY.
073-012	#5	.063"	Zinc Plated	25
073-T04-1Y	#6	.063"	Zinc Plated	25
*073-050	23/64"	.093"	Zinc Plated	25

*Hole Dia. - Not Countersunk

Revolving, Steel, SWIVEL PLATES

For TV, Furniture, etc.



MP-31
6-3/4" Flat Swivel
 (13/16" O.A. Thickness)

PKG QTY. 1

All swivels are made of cold rolled steel, with a non-metallic spacer holding 3/8" carbon steel bearings in place, and have a washer under the rivet head for smooth operation.

Made of 12 ga. plain steel, with 60 bearings. Square Plates have slotted corner holes, 4-13/16" to 5-5/8" centre to centre, for mounting with 1/4" screws. Max. Load 500 lbs.



699-024
10-1/4" Flat Swivel
 (15/16" O.A. Thickness)

PKG QTY. 1

Steel, black finish, with 60 bearings. Square plates have four 1/4" square holes, 7-7/8" centre to centre. Max. Load 500 lbs.



ASSORTMENT 805-505

11 Clips, 125 Pieces, plus 131 Mounting Screws

Gripper Clips

TEMPERED STEEL

KEEP THINGS IN THEIR PLACE

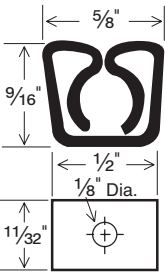
- TOOL CRIBS
- TRUCKS
- CARTS
- SHOVELS
- LABS
- BRUSHES
- MOPS
- BROOMS
- JIGS
- MACHINE PARTS
- ASSEMBLY FIXTURES
- CLEANING EQUIPMENT
- TUBES
- HOSES
- FIXTURES
- PIPES
- FLASHLIGHTS

REGULAR SIZE grey enamelled drawer fits the Slide Racks shown on page A2

Shipping Weight: **3.06 kg** (6-3/4 lbs.)

Name	Spaenaur No.	Overall Depth	Width	Height	Holding Capacity	Qty.	Page
Gripper Clips Material: Polypropylene	C-914	11/32"	1/2"	9/16"	7/32" - 1/2"	50	F16
Gripper Clips Material: Spring Steel	C-915	1/2"	1-3/8"	15/16"	3/8" - 5/8"	14	
	C-916	5/8"	1-5/8"	1-1/4"	3/4" - 1-1/8"	9	
Gripper Clips - Tempered Steel	086-F65-1N	5/8"	1-3/4"	1-1/4"	1" - 1-3/8"	13	
Gripper Clips - Fully Coated	086-F64-1C	1/2"	1-3/8"	15/16"	3/8" - 5/8"	8	
	086-F62-1P	5/8"	1-5/8"	1-1/4"	3/4" - 1-1/8"	8	
Gripper Clips - Half Coated	086-005	5/8"	1-5/8"	1-1/4"	1" - 1-3/8"	6	
	086-006	5/8"	1-5/8"	1-1/4"	1" - 1-3/8"	6	
Gripper Clips	086-007	1-1/4"	1"	1-7/8"	1-1/2" - 1-7/8"	6	
Name	Spaenaur No.	Head Type	Screw Length	Thread Diameter	Screw Finish	Qty.	Page
Tapping Screw Phillips Drive Type AB ASME/ANSI B18.6.4	530-B80-1K	Pan	1/2"	#6	Zinc	50	B81
	1943			#10	Zinc Chromate	81	


CATALOG 14.09 SPAENAUR



GRIPPER CLIP
SPAENAUR No. C-914
 Capacity: 7/32"-1/2" dia.
 Material: Polypropylene
 Colour: Natural
 Mounting Hole: .125" dia.
PKG QTY. 50

GRIPPER CLIPS - Tempered Steel

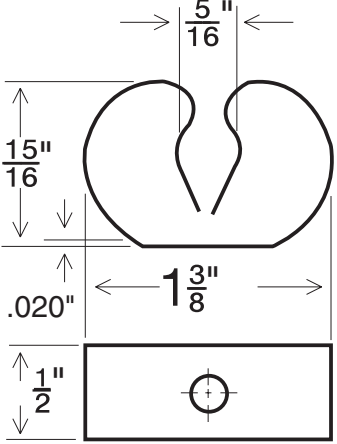
- MATERIAL: 1065 Spring Steel ● FINISH: Bright Zinc with Chromate Dip
- MOUNTING HOLES: .188" dia.



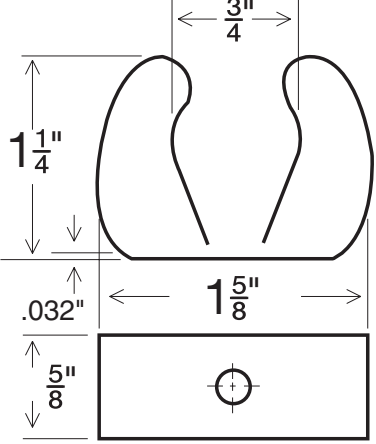
Uncoated Half-Coated Fully Coated

Coating: Black PVC (Poly Vinyl Chloride) approximately .009" thick

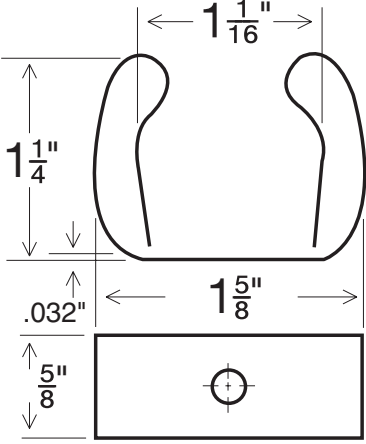
ILLUSTRATIONS ARE APPROXIMATE SIZE.



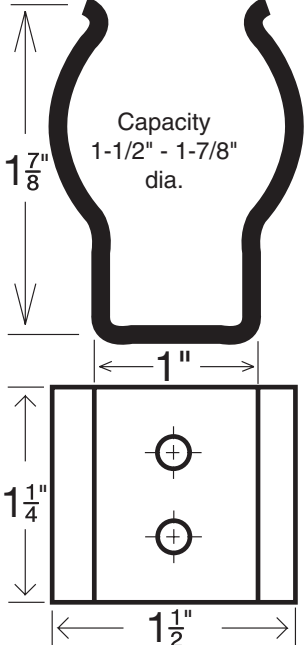
SPAENAUR No. C-915
 Capacity: 3/8"-5/8" dia.
 SPRING STEEL - Bright Zinc Plated
SPAENAUR No. 086-F64-1C
 Fully Coated
PKG QTY. 50



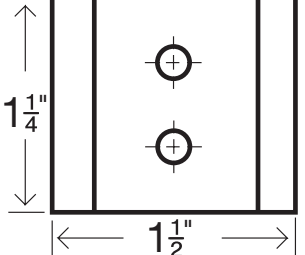
SPAENAUR No. C-916
 Capacity: 3/4" - 1-1/8" dia.
 SPRING STEEL - Bright Zinc Plated
SPAENAUR No. 086-005
 Half-Coated
SPAENAUR No. 086-F62-1P
 Fully Coated
PKG QTY. 25



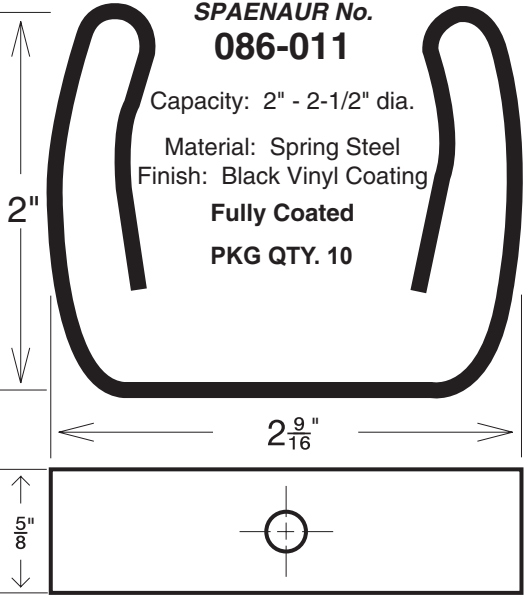
SPAENAUR No. 086-F65-1N
 Capacity: 1" - 1-1/2" dia.
 SPRING STEEL - Bright Zinc Plated
SPAENAUR No. 086-006
 Half-Coated
SPAENAUR No. 086-062
 Fully-Coated
PKG QTY. 25



FLASHLIGHT CLIP
SPAENAUR No. 086-007
 Capacity: 1-1/2" - 1-7/8" dia.



WATERPROOF SPRING STEEL
Fully Coated
 with approximately .009" thick Black PVC Coating
PKG QTY. 10



GRIPPER CLIP
SPAENAUR No. 086-011
 Capacity: 2" - 2-1/2" dia.
 Material: Spring Steel
 Finish: Black Vinyl Coating
Fully Coated
PKG QTY. 10

F

CATALOG 14

SPAENAUR



Product	Inch
English Index	
B	
Braces, Corner & Mending	F13
C	
Clips, Gripper	F16
Corner Brackets & Braces	F13
F	
Feet, Furniture	F4-8, F12
Feet, Rubber	F4
Furniture Glides	F2, F4-8, F12
G	
Glides, Furniture	F2, F4-8, F12
Gripper Clips	F16
H	
Hooks	
Picture Hanger	F14
Wire	F14
L	
L Brackets	F13
Levelers, Appliance & Machine	F6-7
M	
Mending Plates	F13-14
P	
Picture Hangers & Wire	F14
Plates, Mending	F14
Plugs, Tubing	F2-3
S	
Shelf Supports & Hardware	F13
Swivel Plates	F15
T	
Table Shox® Table Glide	F8
Tacks, Upholstery	F12
The Gripper Appliance Foot	F4
Tube Closures	F3, F9-10
Tube Connectors	F11
Tubing, Thread Adapters	F9-10

Product	Inch
Index français	
A	
Agrafes, Serrage	F16
Assemblage, Plaques	F14
Attaches de serrage	F16
B	
Bouchons, Tubes	F2-3
Broquettes, rembourrage	F12
C	
Cornières et renforts de coins	F13
Crochets et fil à cadres	F14
L	
L soutien	F13
Le pied de l'appareil de préhension	F4
N	
Niveleurs, électroménagers et machines	F6-7
P	
Patins, meubles	F2, F4-8, F12
Pieds, meubles	F4-8, F12
Plaques de fixation	F13-14
Plaques pivotantes	F15
R	
Raccords pour tubes	F11
Renforts, coins et d'assemblage	F13
S	
Supports de tablettes et quincaillerie	F13
T	
Table Shox® Patins de Table	F8
Tubes, adaptateurs filetés	F9-10
Tubes, fermetures	F3, F9-10